

5

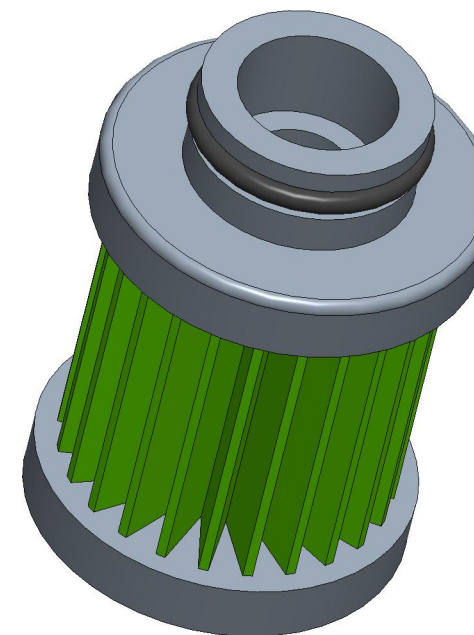
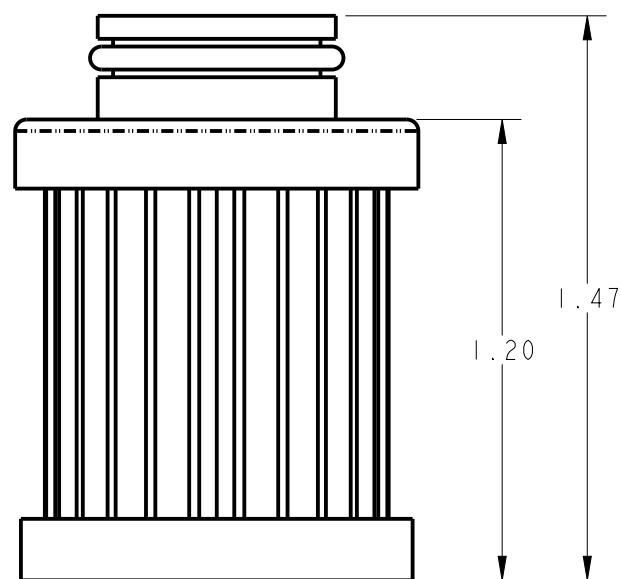
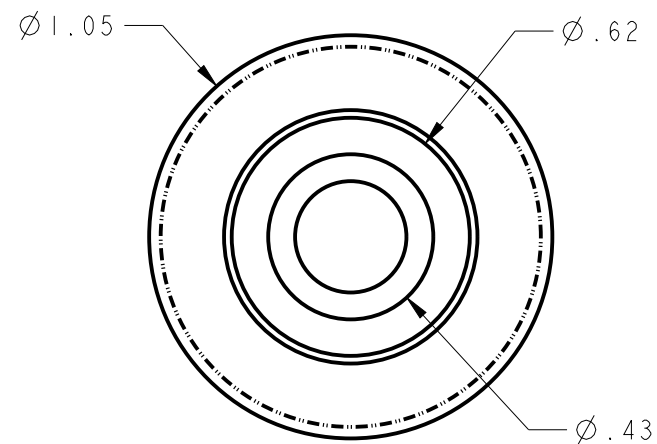
4

3

2

1

REVISIONS					
REV	DESCRIPTION	DATE	DRW	CHK	APP
A	New Drawing	10/25/2022	SS	SS	BM



SCALE 2:1

NOTES:  
 1. ALL DIMENSIONS ARE APPROXIMATE.  
 2. RATING: 27 MICRON.

UNLESS OTHERWISE SPECIFIED:  TOLERANCES: X/X = ±1/16 X.X = ±0.06 X.XX = ±0.03 X.XXX = ±0.005  X° = ±3° X.X° = ±1°  BREAK SHARP EDGES 0.010 STANDARD SURFACE FINISH 125		UNLESS OTHERWISE SPECIFIED: DIMENSIONS IN INCHES  3RD ANGLE PROJECTION		<b>SIERRA</b>	
DRAWN: Shad Schoen		DATE: 10/25/2022			
APPROVED: B. Maulding		DATE: 10/25/2022		TITLE: Fuel Filter	
PROJECT:		DRAWING NO. 118-79799		REV A	
SCALE: 1:1		SIZE: B		SHEET 1 OF 1	

5

4

3

2

1